

Please [contact us](#) if you cannot find what you require

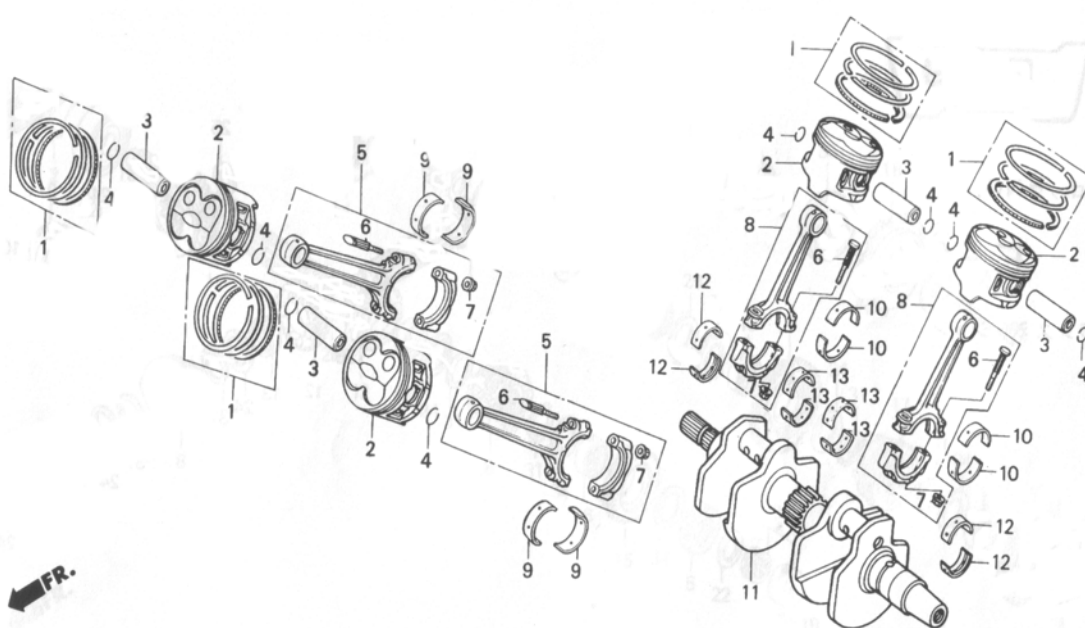
To order please telephone 01424 426383 or write to :

NC30 Club, PO Box 48, Bexhill on Sea, East Sussex, TN40 2WY

or email sales@nc30club.co.uk.

We can accept payment by Paypal or cheque.

NC30 BOTTOM END



PART CODE	DESCRIPTION	NO. REQ,D	PRICE EACH
KJ6-E12-01	RING SET	4	£32.30
KJ6-E12-02	PISTON	4	£37.90
KJ6-E12-03	GUDGEON PIN	4	£9.67
KJ6-E12-04	PISTON CIRCLIP	8	£1.64
KJ6-E12-05	CON ROD ASSY FRNT	2	NLA
KJ6-E12-06	BOLT CON ROD	8	£5.42
KJ6-E12-07	NUT CON ROD	8	£0.94
KJ6-E12-08	CON ROD ASSY REAR	2	£113.65
KJ6-E12-09A	BEARING HALF BIG END FRNT A	4	£9.30
KJ6E-12-09B	BEARING HALF BIG END FRNT B	4	£6.91
KJ6-E12-09C	BEARING HALFBIG END FRNT C	4	£6.91
KJ6-E12-10A	BEARING HALF BIG END REAR A	4	£9.30
KJ6-E12-10B	BEARING HALF BIG END REAR B	4	£9.30
KJ6-E12-10B	BEARING HALF BIG END REAR C	4	£9.30

KJ6-E12-11	CRANKSHAFT	1	£728.33
KJ6-E12-12A	BEARING HALF MAIN OUTER A	4	£8.29
KJ6-E12-12B	BEARING HALF MAIN OUTER B	4	£8.29
KJ6-E12-12C	BEARING HALF MAIN OUTER C	4	£8.29
KJ6-E12-13A	BEARING HALF MAIN INNER A	4	£6.91
KJ6-E12-13B	BEARING HALF MAIN INNER B	4	£6.91
KJ6-E12-13A	BEARING HALF MAIN INNER C	4	£6.91

Last Updated on 25/03/08

By NC30 Club

Email: sales@nc30club.co.uk