

Please [contact us](#) if you cannot find what you require

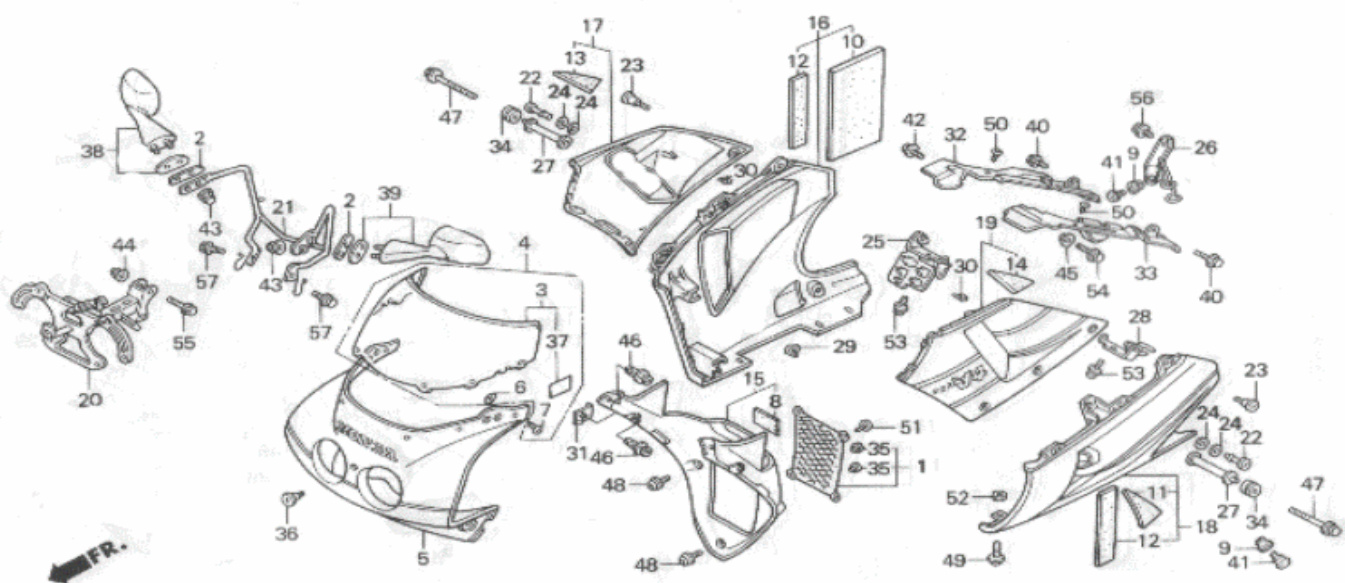
To order please telephone 01424 426383 or write to :

NC30 Club, PO Box 48, Bexhill on Sea, East Sussex, TN40 2WY

or email sales@nc30club.co.uk.

We can accept payment by Paypal or cheque.

NC30 FARING



PART No.	Description	Cost Each	Qty. Reqd.
KJ6F31001	GRILL COMP. LOWER	£123.88	1
KJ6F31002A	RUB BACK MIRROR M	£2.25	2
KJ6F31002B	USE KJ6F31002A	NLA	2
KJ6F31003	SCREEN WITH LABEL	NLA	1
KJ6F31004	SCREEN SET WIND	£168.07	1
KJ6F31005A	COWL ASSY. NH196 Type 1	£510.39	1
KJ6F31005B	COWL ASSY NH259M Type 2	£472.32	1

KJ6F31005C	COWL NH196/TYPE 3	£470.60	1
KJ6F31005D	COW NH177M/TYPE 4	£470.60	1
KJ6F31005E	COWL A NH1/TYPE 5	£470.60	1
KJ6F31005F	COWL ASSY. TYPE 6	£433.09	1
KJ6F31005G	COWL ASSY. TYPE 7	NLA	1
KJ6F31005H	COWL ASSY. TYPE 8	£433.09	1
KJ6F31006	NUT SPEED 4MM	£0.55	6
KJ6F31007	PIN SCREEN SET	£1.34	6
KJ6F31008	PROTECTOR HOSE	£3.06	1
KJ6F31009	RUB.FAIRING MT	£2.97	2
KJ6F31010	MAT A LOWER COWL	£17.92	1
KJ6F31011	MAT B LOWER COWL	£7.65	1
KJ6F31012	MAT C LOWER COWL	£10.27	2
KJ6F31013	MAT A COWL SIDE	£4.78	1
KJ6F31014	MAT A L.COWL SIDE	£4.31	1
KJ6F31015A	COWL INNER NH196	£142.33	1
KJ6F31015B	COWL INNER NH 259	£142.33	1
KJ6F31015C	COWL INNE NH177M	£144.43	1
KJ6F31015D	COWL INNER H NH1	£144.43	1
KJ6F31015E	COWL INNER H NH196K (Type 8)	NLA	1
KJ6F31016A	RH LOWER TYPE 1	NLA	1
KJ6F31016B	RH LOWER TYPE 2	NLA	1
KJ6F31016C	RH LOWER TYPE 3	NLA	1
KJ6F31016D	RH LOWER TYPE 4	NLA	1
KJ6F31016E	RH LOWER TYPE 5	NLA	1
KJ6F31016F	RH LOWER TYPE 6	NLA	1
KJ6F31016G	RH LOWER TYPE 7	NLA	1
KJ6F31016H	RH LOWER TYPE 8	NLA	1
KJ6F31017A	RH MID PANEL NH196 TYPE 1	£144.02	1
KJ6F31017C	RH MID PANEL NH259 TYPE 2	NLA	1
KJ6F31017D	RH MID PANEL NH196/TYPE 3	£150.35	1
KJ6F31017E	RH MID PANEL NH177M/TYPE 4	£150.35	1
KJ6F31017F	RH MID PANELLID AS NH1/TYPE 5	£150.35	1
KJ6F31017G	RH MID PANEL NH196 TYP 6	NLA	1
KJ6F31017H	RH MID PANELLID NH1. TYPE 7	£137.26	1
KJ6F31017I	RH MID PANEL NH196 TYPE 8	£137.26	1
KJ6F31018A	LH LOWER NH196 TYPE 1	NLA	1
KJ6F31018B	LH LOWER NH259M TYPE 2	NLA	1
KJ6F31018C	LH LOWERNH196/TYPE 3	£241.56	1
KJ6F31018D	LH LOWER NH177M TYPE 4	£241.56	1
KJ6F31018E	LH LOWERCOWL NH1/TYPE 5	£241.56	1

KJ6F31018F	LH LOWER COWL NH196 TYPE 6	£222.79	1
KJ6F31018G	LH LOWER TYPE 7 NH1	NLA	1
KJ6F31018	LH LOWER. TYPE 8 NH196	£222.79	1
KJ6F31019A	LH MID PANEL NH196 TYPE 1	NLA	1
KJ6F31019B	LH MID PANEL NH259M TYPE 2	£144.02	1
KJ6F31019C	LH MID PANEL NH196 TYPE 3	£150.35	1
KJ6F31019D	LH MID PANEL NH177M TYPE 4	£150.35	1
KJ6F31019E	LH MID PANEL NH1/TYPE 5	£150.35	1
KJ6F31019F	LH MID PANEL NH196 TYPE 6	£137.26	1
KJ6F31019G	LH MID PANEL NH1 TYPE 7	£137.26	1
KJ6F31019H	LH MID PANEL NH196 TYPE 8	£137.26	1
KJ6F31020A	STAY UP	£86.32	1
KJ6F312'00B	STAY UPPER COWL M	£86.32	1
KJ6F312'01	STAY UP COWL SUB	£62.78	1
KJ6F312'02A	STUD	£7.40	4
KJ6F3102B	STUD	£4.60	4
KJ6F31023	BOLT COWL SET	£1.83	2
KJ6F31024	RETAINER	£1.75	8
KJ6F31025	STAY R COWL SIDE	£12.58	1
KJ6F31026	STAY RH LOWER	NLA	1
KJ6F31027	COLLAR COWL SET.	£7.22	2
KJ6F31028	STAY L COWL SIDE	£8.34	1
KJ6F31029	NUT CLIP 4MM	£3.18	3
KJ6F31030A	NUT PLATE (USE BELOW)	NLA	2
KJ6F31030B	NUT PLATE	£2.01	2
KJ6F31031A	PLATE	£2.41	2
KJ6F31031B	PLATE	£2.41	2
KJ6F31032A	PANEL R INNER	£29.63	1
KJ6F31032B	USE KJ6F31032A	NLA	1
KJ6F31033A	USE KJ6F31033B	NLA	1
KJ6F31033B	PANEL L INNER	£29.63	1
KJ6F31034	GROM FR.FEND SET	£2.61	2
KJ6F31035A	GROMMET SEAT LOCK	£1.21	2
KJ6F31035B	USE KJ6F31035A	NLA	2
KJ6F31036	BOLT COWL SET A	£1.99	1
KJ6F31037	LABEL SCREEN (IN JAPANESE)	NLA	1
KJ6F31038	MIRROR R BACK	NLA	1
KJ6F31039	MIRROR L BACK	£42.55	1
KJ6F31040	NUT FAIRING INFIL TO FRAME	NLA	2
KJ6F31041	SCREW FAIRING SET	£2.87	2
KJ6F31042A	USE KJ6F31042B	NLA	1

KJ6F31042B	BOLT FLANGE	£2.87	1
KJ6F31043	NUT DOMED	NLA	4
KJ6F31044A	NUT FLG CAP	£1.53	2
KJ6F31044B	USE KJ6F31044A	NLA	2
KJ6F31045	NUT FLANGED	NLA	1
KJ6F31046	CLIP BODY COVER	£1.51	4
KJ6F31047	BOLT FAIRING LOWER TO FRAME	NLA	2
KJ6F31048	SCREW/WASHER	NLA	3
KJ6F31049	SCREW/WASHER	NLA	4
KJ6F31050	SCREW 4X10	£0.44	2
KJ6F31051	SCREW TAP. 4X12	£0.44	4
KJ6F31052	5MM	NLA	4
KJ6F31053	6X16	NLA	4
KJ6F31054A	6X32	NLA	2
KJ6F31054B	6X32	NLA	1
KJ6F31055	8X30	NLA	2
KJ6F31056	BOLT FLANGE	£0.68	1
KJ6F31057	BOLT FLANGE	£0.68	2

Note: When determining the colour scheme, please be wary of the colour code sticker that is under the seat, As often, when the bikes were imported, the importers would swap the bodywork between a rough runner with good bodywork and a good runner with rough bodywork. I know, as I could have been that man!

Last Updated on 30/01/08

By NC30 Club

Email: sales@nc30club.co.uk