

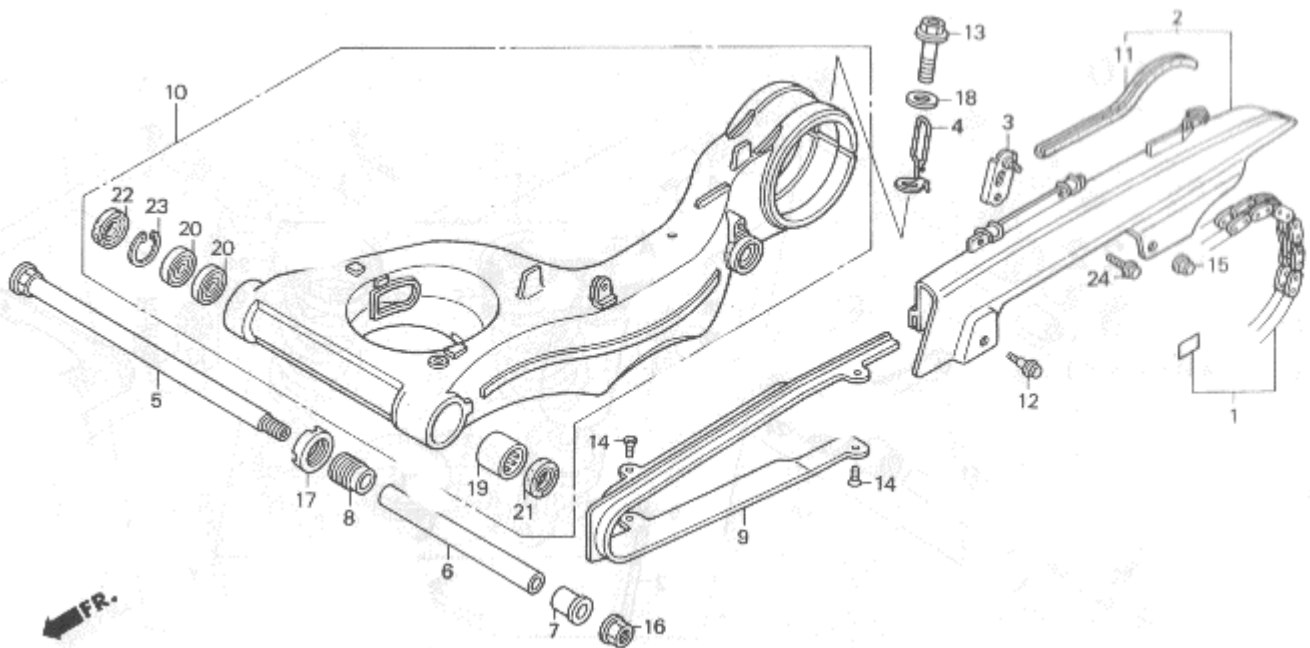
order please telephone 01424 426383 or write to :

NC30 Club, PO Box 48, Bexhill on Sea, East Sussex, TN40 2WY

or email sales@nc30club.co.uk,

We can accept payment by Paypal or cheque.

NC30 SWING ARM



| Part No. | Description | Price each |
|-------------|-------------------|------------|
| KJ6-F21-001 | CHAIN SET DRIVE | £156.36 |
| KJ6-F21-002 | CHAINGUARD | NLA |
| KJ6-F21-003 | STAY DRIVE CHAIN | £8.34 |
| KJ6-F21-004 | GUIDE BRAKE HOSE | £7.93 |
| KJ6-F21-005 | BOLT SWING ARM PI | £45.21 |
| KJ6-F21-006 | COLLAR RR FORK PI | £11.89 |
| KJ6-F21-007 | COLLAR B PIVOT | £18.63 |
| KJ6-F21-008 | BOLT ADJ PIVOT | £23.59 |
| KJ6-F21-009 | SLIDER CHAIN | £51.94 |
| KJ6-F21-010 | ARM SET SWING | £1,440.31 |
| KJ6-F21-011 | RUBBER CHAIN CASE | £2.79 |
| KJ6-F21-012 | BOLT FLANGE | £1.71 |
| KJ6-F21-013 | BOLT FLANGE | £8.54 |
| KJ6-F21-014 | SCREW FLAT | £0.55 |

| | | |
|-------------|-------------------|--------|
| KJ6-F21-015 | NUT CAP | £3.06 |
| KJ6-F21-016 | NUT FLANGE | £6.99 |
| KJ6-F21-017 | NUT RR.FORK PIVOT | £10.02 |
| KJ6-F21-018 | WASHER PLAIN | £1.17 |
| KJ6-F21-019 | BRG NDL. | £12.96 |
| KJ6-F21-020 | BRG BALL RADIAL | £10.45 |
| KJ6-F21-021 | DUST SEAL | £3.86 |
| KJ6-F21-022 | DUST SEAL | £3.86 |
| KJ6-F21-023 | CIRCLIP IN | £1.19 |
| KJ6-F21-024 | BOLT FLG | £0.68 |

Swinging Arm
Overhaul Kit
(Genuine Honda
Parts)

Comprises: 1 No. Needle
Bearing, 2 No. Ball Bearings, **O-**
2 No. Dust Seals, 1 No. Circlip **1009** £41.28

Swinging Arm
Bearing Set
(Genuine Honda
Parts)

Compising of 1 No. Needle
Beaing and 2 No. Ball **O-**
Bearings **1010** £32.82

Last Updated on 22/01/08

By NC30 Club

Email: sales@nc30club.co.uk